

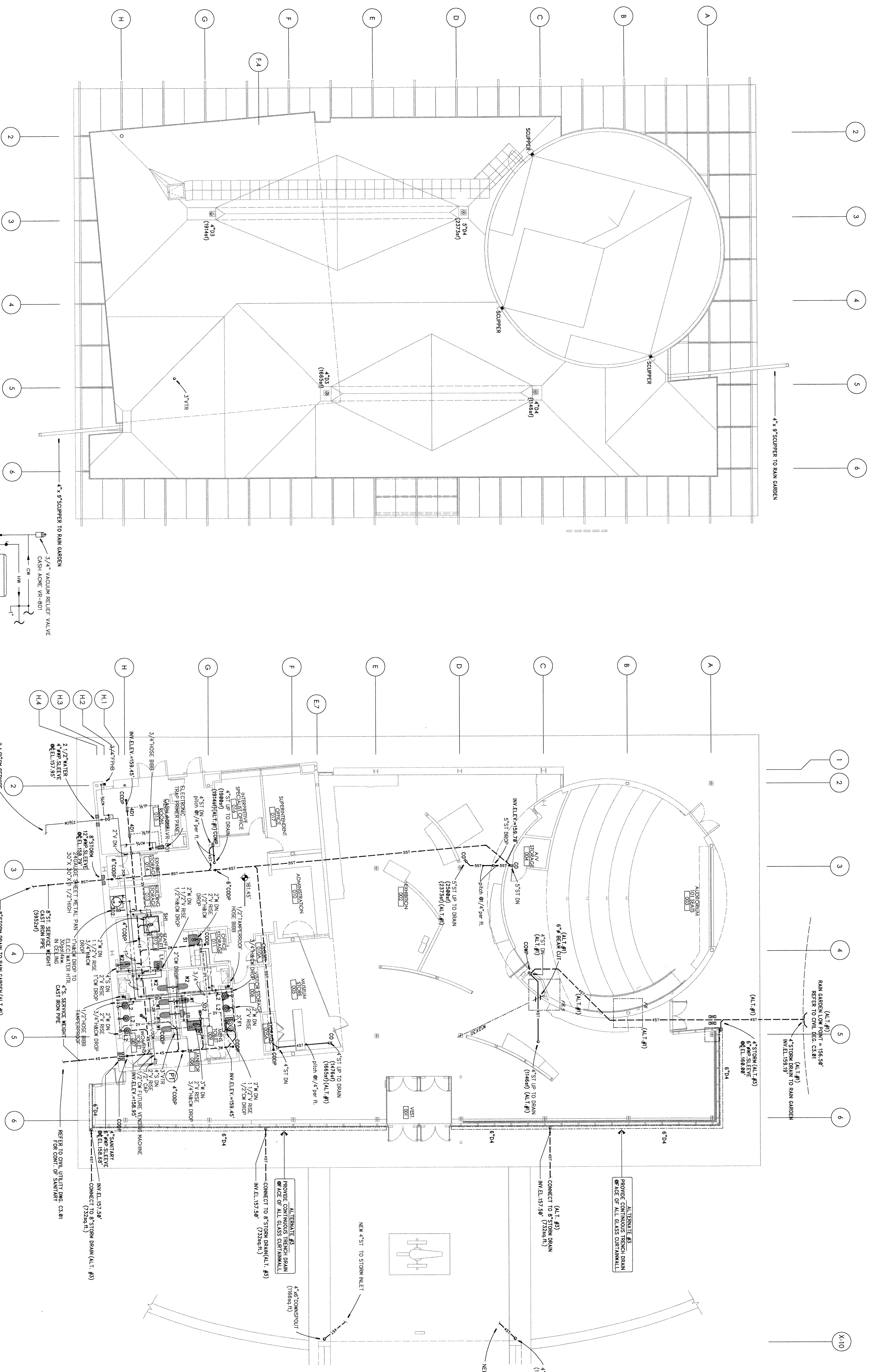
VERSION	No.	Date	Description
	10-03-2011		BD DOCUMENTS

Allen Secher Weber LLC
 Consulting Engineers
 31 Kentwood Road, Suite 100
 Princeton, NJ 08540
 PH: 609.919.5538
 FX: 609.919.5243

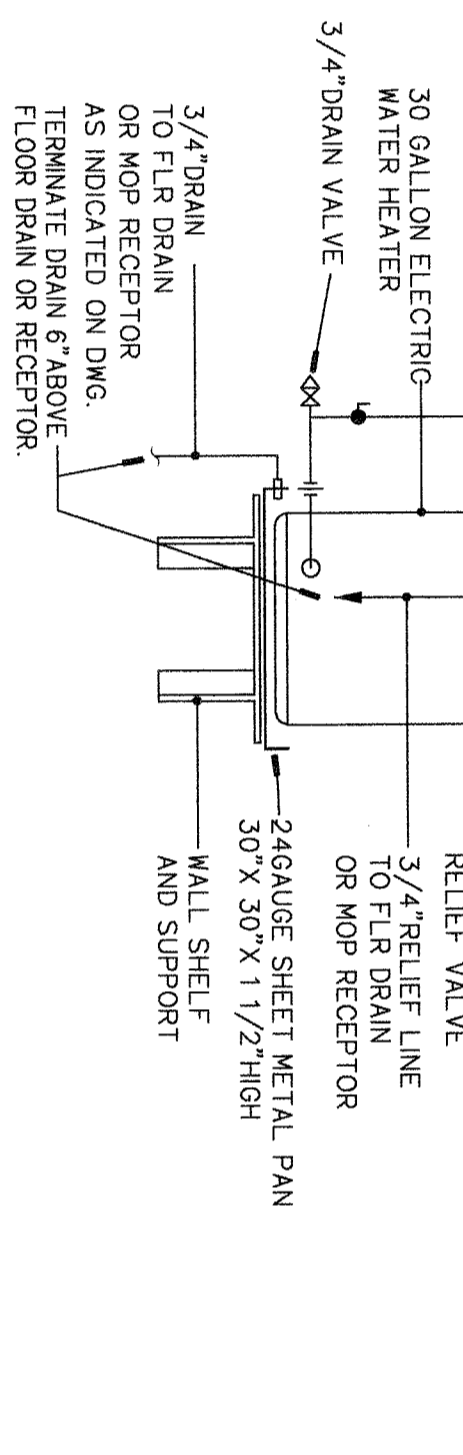
ikon.5
 architects
 Architecture
 Planning
 Research
 Strategy
 864 Mableton Road
 Princeton, NJ 08540
 609.919.0099
 fax 609.919.0088
 www.ikon5architects.com

Professional License Number
 PROJECT TITLE
 VISITOR'S CENTER
 RENOVATION AND
 EXPANSION
 MONMOUTH BATTLEFIELD
 STATE PARK
 MANALAPAN, NEW JERSEY
 PROJECT NO.: P103-00
 SHEET NO.:
 PLUMBING
 PLANS
 ALTERNATE #1 & #3

DATE: 10-03-2011
 DRAWING NO.: P1.01A
 DRAWN BY: RC



PLUMBING NOTES:
 1. ALL STORM & SANITARY WASTE PIPING UP TO 2" SHALL BE PITCHED AT 1/4" PER FOOT UNLESS OTHERWISE NOTED ON THE DRAWINGS.
 2. ALL STORM & SANITARY WASTE PIPING 3" AND LARGER SHALL BE PITCHED AT 1/8" PER FOOT UNLESS OTHERWISE NOTED ON THE DRAWINGS.
 3. CLEANOUTS SHALL BE INSTALLED AT INTERVALS NOT EXCEEDING 75'-0" FOR ALL STORM AND SANITARY PIPING UP TO 4" PER NATIONAL STANDARD PLUMBING CODE PARAGRAPH 5.4.1.
 4. CLEANOUTS SHALL BE INSTALLED AT INTERVALS NOT EXCEEDING 100'-0" FOR ALL STORM AND SANITARY PIPING 5" AND LARGER PER NATIONAL STANDARD PLUMBING CODE PARAGRAPH 5.4.1.



PLUMBING NOTE:
 STORM WATER RAINOFF PIPING IS SIZED PER NATIONAL STANDARD PLUMBING CODE TABLE 13.6.1 & 13.6.2 IN A MINIMUM RATE OF 5" PER HOUR.

ALTERNATE #1 ROOF PLAN - PLUMBING
 P1.01A P1.01A SCALE: 1/8" = 1'-0"

WATER HEATER PIPING DIAGRAM
 P1.01A P1.01A NTS

ALTERNATE #1 & #3 VISITOR'S CENTER ADDITION FIRST FLOOR PLAN - PLUMBING
 P1.01A P1.01A SCALE: 1/8" = 1'-0"